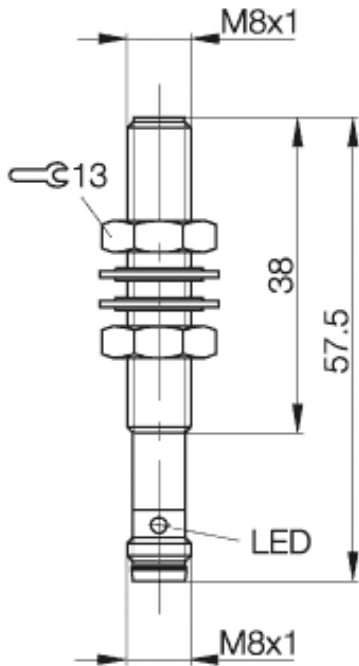


**Photoelectric Sensor**  
**BOS 08M-PO-PR10-S49**  
**Sn=550mm**  
**Retroreflective**



PX1925

**Common Data**

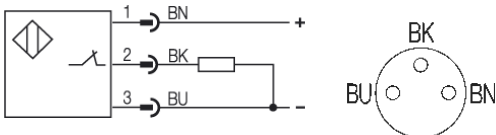
|                                   |                  |
|-----------------------------------|------------------|
| Series                            | 08M              |
| Sensortype                        | Retroreflective  |
| Switching frequency               | 500 Hz           |
| Rated operating distance Sn in mm | 550              |
| assured operating distance Sa     | 25...550         |
| Indication Switching element on   | yes, red LED     |
| Ambient temperature               | -10...+60°C      |
| Off-delay                         | < 5ms            |
| Light                             | Infrared, 640nm  |
| Permissible ambient light         | per EN 60947-5-2 |
| Output function                   | light-on         |

**Mechanical Data**

|                          |                          |
|--------------------------|--------------------------|
| Measurements             | M8x57,5                  |
| Housing material         | nickel plated brass      |
| Material of sensing face | PMMA                     |
| Degree of protection     | IP67                     |
| Connection               | Connector S49 (M8,3-pin) |
| Weight                   | 13g                      |
| Recommended connector    | BKS-S49-                 |

**Electrical Data**

|                                     |                 |
|-------------------------------------|-----------------|
| Current                             | DC              |
| Switching function                  | normally-closed |
| Output                              | PNP             |
| Rated operational current Ie        | 100mA           |
| Supply Voltage                      | 10...30V DC     |
| Ripple                              | < 10% from UB   |
| Frequency of Supply Voltage         | DC              |
| No-load supply current              | <20mA           |
| Voltage drop                        | <2V             |
| Short protection                    | yes             |
| Protected against polarity reversal | yes             |



Utilization categories  
 Insulation class

DC 13

Datasheet number:

Definitions see general catalog.  
 If not otherwise noted, ratings according to  
 IEC 60947-5-2 (DIN EN60947-5-2)

Balluff GmbH  
 Schurwaldstrasse 9  
 73765 Neuhausen a.d.F.  
 Phone (07158) 173-0 Fax (07158) 5010

Datenblatt by CD-ROM - 04/2007

**BALLUFF**  
 sensors worldwide